



BARISTA T PLUS

T Technology® inside by Ascaso.

Multi-group technology. Full PID control. It offers a great thermal stability with a high level of energy efficiency (low energy consumption) and clean and fresh water in each coffee.



Multi-group (separate) technology with PID control High professional-grade performance: Thermal stability guaranteed. High steam production.



Clean coffee. Minimal metal migration to the beverage through the use of stainless steel. Complies with European regulation EN 16889



Freshly Delivered Water. Avoiding the use of standing, constantly reheated water to make the coffee.



Energy efficiency. We deliver a 50% average saving compared with a traditional machine and 25% compared with other multiboiler machines.

ascaso
BARCELONA

MAIN FEATURES

Multi Group technology (on/off by group). Professional Thermodynamic Groups.

Independent steam boiler. Stainless steel Aisi 316. Extremely sturdy. Large capacity.

External Pid control (+ 0,1°C) each group and steam boiler.

External timer for each group.

Digital Display in each group Multiple functions. Total control.

Thermal lagging on steam boiler and groups.

Thermal stability (+- 0,5°C).

Dynamic preheating (coffee groups).

Energy efficient (- 50%).

High performance volumetric pump. Constant pressure even after a prolonged and simultaneous use of more groups.

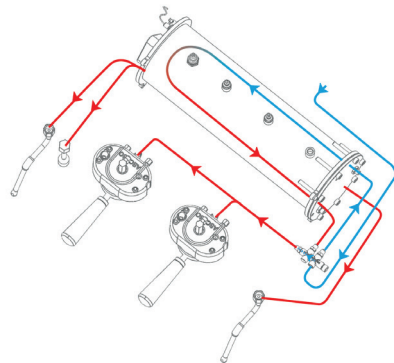
Powerful steamer (10 mm anti-lime scale tube. Stainless Steel. Cool touch).

High-precision filters in AISI 304 stainless steel.

Active cup warmer. (Plus model)

Designed for baristas: joystick steam controls, LED in work area, 5 volume selections, Pid controls...

Different colours and customization options.



MODELS



1GR Full Inox



2GR Full Inox



3GR Full Inox



1GR Black&Wood



2GR Black&Wood



3GR Black&Wood



1GR White&Wood



2GR White&Wood



3GR White&Wood

TECHNICAL DATA

	1GR	2GR	3GR
Dimensions (mm)	440/450/540	700/475/535	920/475/535
Boiler power (230 V)	1200W 50-60Hz	3500W 50-60Hz	3500W 50-60Hz
Coffee groups power (W)	1000	1000 x 2	1000 x 3
Weight (kg)	40	71	93
Boiler capacity (L)	6	8	8
Steam	1	2	2
Water	1	1	1

See complete data at www.ascaso.com